

single code pins for 6 codings



selectivity using single code pins



description	part No.	part No.
single code pin (not for MIXO inserts)	stainless steel CR 20	zinc plated iron CR 20 D
single code pin (for MIXO inserts only)	stainless steel CR 20 CX	zinc plated iron CR 20 CX D

CR 20/CR 20 D and CR 20 CX/CR 20 CX D code pins

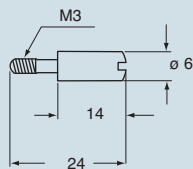
Each series of connector inserts is made in such a way as to make incorrect coupling between inserts of different series impossible.

When a number of identical connectors with different functions are mounted closely together these must be selected in such a way as to prevent the coupling of a mobile part on a non-corresponding fixed part and consequent damage and breakdown.

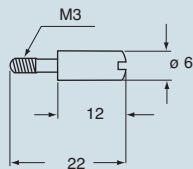
Code pins are supplied to apply in place of the normal insert fastening screws (see example below). In this way the coupling of identical connectors is assured. The combination of code pins makes it possible to obtain a high number of selective couplings.

dimensions in mm

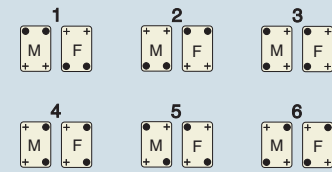
CR 20 / CR 20 D



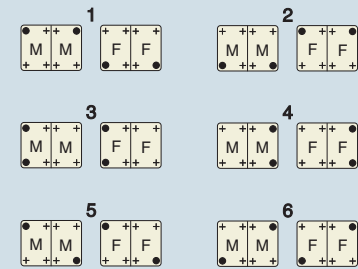
CR 20 CX / CR 20 CX D



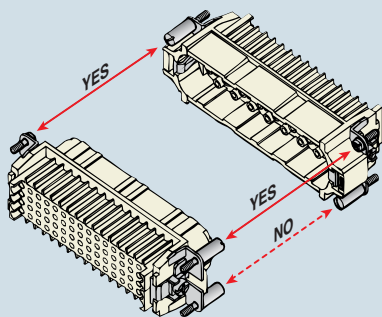
application with single insert



application with double inserts



- code pin (CR 20/CR 20 D and CR 20 CX/CR 20 CX D)
- + normal fixing screw
- M = male insert
- F = female insert



dimensions shown are not binding and may be changed without notice